

# NEXSAN UNITY3300 Storage System

## Quick Start Guide



This document provides installation steps for racking, cabling, and setting up the UNITY3300 Storage System and the UNITY US316 Storage Expansion.

For additional documentation please visit <https://www.nexsan.com/support/support-unity/>

### Taking delivery

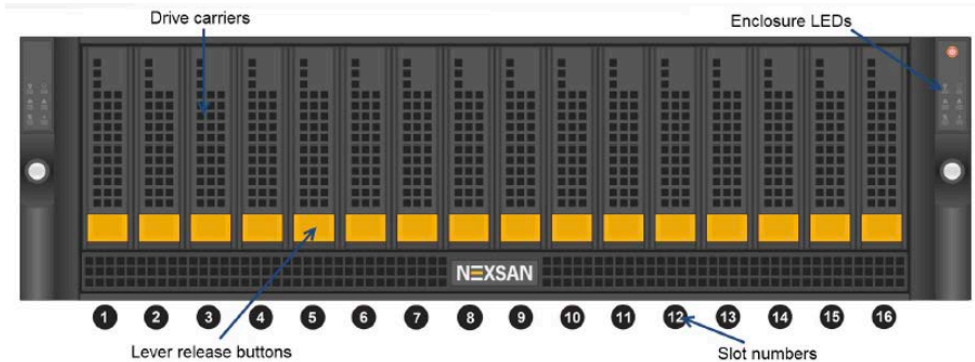
Your Unity shipment includes the UNITY3300 Storage System, and optionally one UNITY US316 Storage Expansion. Check to ensure that no damage has been sustained to the packaging in transit. If any of the Unity storage components

appear damaged, please contact your reseller immediately.

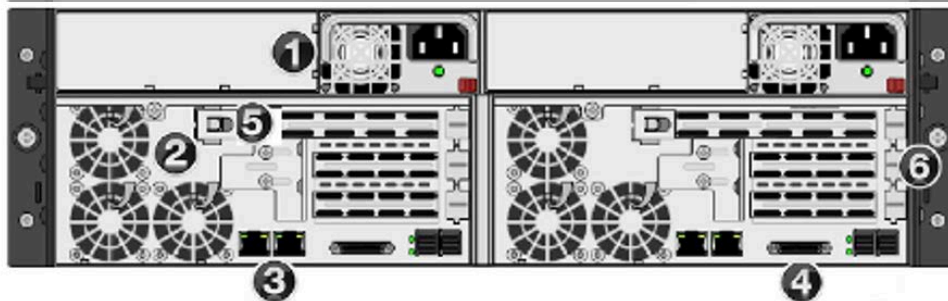
### Hardware overview

The main components of the UNITY3300 are shown in these diagrams.

UNITY3300 front view

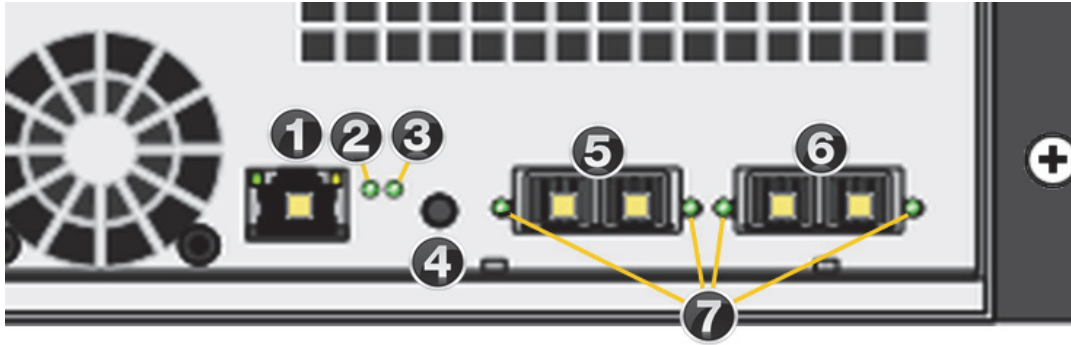


UNITY3300 rear view



Item	Name	Description
1	Power supply unit	1200W Redundant Power Supplies with PMBus
2	Fan assembly	4x 80mm and 4x 40mm PWM cooling fans Redundant cooling
3	On-board 10GbE LAN ports (2 per node)	<ul style="list-style-type: none"> <li>Right port: Primary data network interface (nx0 - optional)</li> <li>Left port: Management Interface (nx99) and IPMI interface</li> </ul> <p><b>NOTE:</b> If you are using a 1GbE port for the management interface, these ports will be used for data, with the left port still being used for the IPMI interface.</p>
4	KVM connections	USB, VGA, and serial connections for remote console access to the Unity Storage System
5	Storage connectivity	Dual port SAS PCIe to HD Mini-SAS
6	Optional connectivity to Hosts	<p>You can use these slots for additional host connections, which can be any of these supported NICs:</p> <ul style="list-style-type: none"> <li>Pair of 10GbE NIC with dual RJ-45</li> <li>Pair of 10GbE NIC with dual SFP+</li> <li>Pair of 1GigE, Quad-port NIC, RJ-45</li> <li>Pair of 1GigE, Dual-port NIC, RJ-45</li> <li>Pair of 32Gb Fibre Channel - dual-port</li> <li>Pair of 16Gb Fibre Channel - dual-port</li> <li>Pair of 8Gb Fibre Channel - dual-port</li> <li>Pair of 40GbE NIC with dual QSFP Connectivity</li> </ul>

UNITY US316 rear view I/O components.



Item	Name	Description
1	LAN Port	Not used
2	System status LED	Green: Initialization successful Red: Initialization failure
3	System ID status LED	On/Off
4	BMC Reset button	Resets the base management controller
5	SAS IN ports	Serial Attached SCSI IN ports from the storage system
6	SAS OUT ports	SAS OUT ports to the Unity Storage System
7	SAS link status LEDs (2 IN, 2 OUT)	Green: All four physical layers (PHY) of each port connected with consistent link speed (12 G or 6G) Red: Single PHY degraded link speed or disconnected

## 1 Prepare for installation

- A Carefully read safety notices on [page 8](#).
- B Ensure ahead of time that you have a suitable rack; see [Rack and enclosure specifications](#) on [page 8](#).
- C Ensure that you have a Phillips screwdriver.
- D Have someone assist you during installation.



**CAUTION:** Acclimate new disk drives to room temperature for two hours before you install them.

## 2 Unpack the UNITY3300

- A Remove all the components from packaging. Reach under the chassis to pull it free from the foam insert.  
Do NOT lift the UNITY3300 chassis from its packaging using the controller handles or attached rails.
- B Place the components on an anti-static surface until you are ready to use them.


### UNITY3300 Storage System package contents

- One UNITY3300 3U dual-controller chassis with 16-drive (3.5") front bay enclosure (with front bezel)

- Rack-mounting hardware:
    - 2 outer-rack rail assemblies (inner-chassis rails are already installed)
    - 4 mounting screws with 4 washers to attach outer-rack rails to the rack (1 on the front and 1 on the back for both the left and right rail assemblies)
  - FASTier SSD and HDD drives. (Check that the components included in your shipment correspond to your packing slip.)
  - Two SAS cables (HD Mini SAS to HD Mini SAS)
  - Two power cords
  - Two KVM leads
  - One electrostatic discharge (ESD) wrist strap
- Components Not Included In Your Package
- Client computer
  - Network switches
  - Network cables

Recommended	Acceptable
10GbE Ethernet: CAT6a cable	10GbE Ethernet: CAT6 or higher cable
1GbE Ethernet: CAT6 cable	1GbE Ethernet: CAT5E or higher cable
10GbE Fiber	Multimode duplex LC/LC 50µ OM3 fiber cable

### 3 Rack the UNITY3300

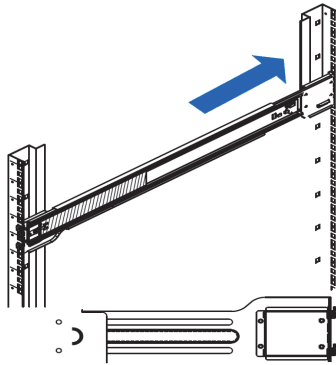
 **CAUTION:** Physical installation requires two people.

#### ► Step 1: Remove the front bezel

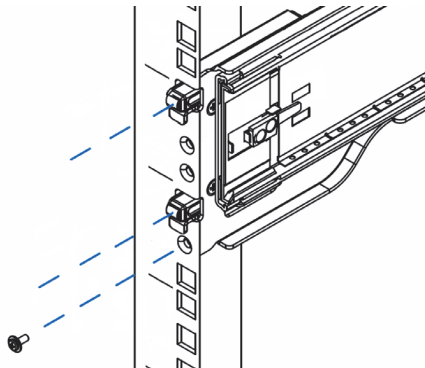
- A Turn the key lock at the right end of the bezel to the unlock position.
- B Unhook the left end of the bezel from the chassis.

#### ► Step 2: Install the outer rails on the rack

- A Attach the **RIGHT** and **LEFT** outer rails to the rack by inserting the hooks included on the rails into the holes provided on the rack. The hooks should be located in the **TOP** holes of the rack units selected.
- B Extend rail assemblies to fit the depth of the rack. Pull on the rear of the assembly until the hooks reach the back of the rack.



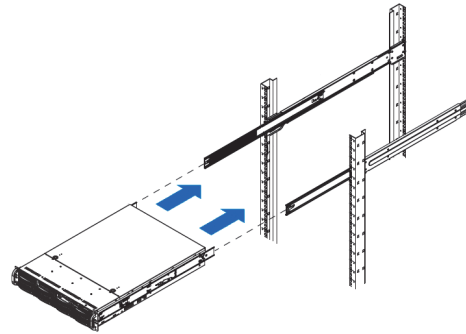
- C Screw the rail to the rack using the mounting screws provided. The screws should be secured in the **BOTTOM** hole on the front and back of each rail assembly.



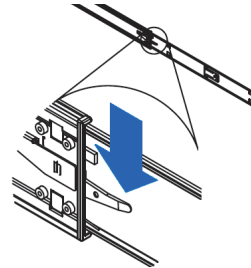
#### ► Step 3: Install the UNITY3300 on the rack

- A Lift the UNITY3300 chassis from the sides—not from the front and back.

- B Line up the inner-chassis rails with the front of the outer-rack rails.




- C Slide the inner-chassis rails into the outer-rack rails, keeping the pressure even on both sides; you have to depress the locking tabs when inserting.



- D Push the UNITY3300 completely into the rack; you should hear the locking tabs click into position.
- E Tighten the thumbscrews that hold the front of the UNITY3300 to the rack.

#### ► Step 4: Install the disk drives and FASTTier SSDs

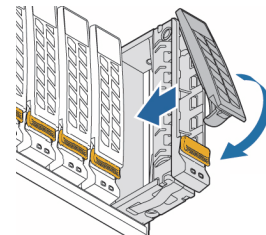
 **CAUTION:** Put on the ESD wrist strap before starting:

- A Slip the wrist loop over your hand (left or right), then tighten the loop against your wrist.
- B Attach the clip end of the anti-static wrist strap to a properly grounded metal surface.

#### Installation order:

- 1 Install the FASTTier SSDs in the slot as indicated on the label on the drive.
- 2 Install the data drives in any order in the remaining slots.

**NOTE:** The half-populated 9-drive configuration has empty drive carriers pre-installed in slots 10 through 16. To install the disk drives, follow the above procedure in slots 1 through 9.



### To install the drives:

- A** Slide the release button on the front of the drive carrier and open the handle.
- B** Insert the hard-drive carrier into the drive bay until the carrier contacts the backplane.
- C** Close the hard-drive carrier handle to lock the drive in place.
- D** Repeat these steps for each drive.

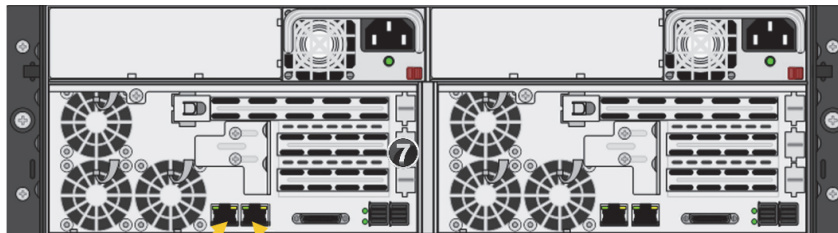
If you have a UNITY US316 Storage Expansion, go to *(Optional) Unpack the UNITY US316 Storage Expansion*. Otherwise, go to *Connect the UNITY3300*.

## 4 (Optional) Unpack the UNITY US316 Storage Expansion

- A** Remove all the components from packaging. Reach under the chassis to pull it free from the foam insert. Do NOT lift out the expansion chassis from its packaging using the controller handles or attached rails.
- B** Place the components on an anti-static surface until you are ready to use them.

### UNITY US316 package contents

- UNITY US316 (I/O modules)
- Rack-mounting hardware:
  - 2 outer-rack rail assemblies (inner-rack rails are already installed on the chassis)



nx99 and IPMI nx0

### ► Step 2: Connect the power cords

- A** Plug the power cords into both power supply units on the back of the UNITY US316.
- B** Plug the power cords connected to the power supply units into a high-quality strip that offers protection from electrical noise and power surges.

**NOTE:** We strongly recommend that you use an uninterruptible power supply (UPS).

- 4 mounting screws with 4 washers to attach outer-rack rails to the rack (1 on the front and 1 on the back for both the left and right rail assemblies)
- FASTier SSD and HDD drives. (Check that the components included in your shipment correspond to your packing slip.)
- Two power cords
- Two SAS cables (HD Mini SAS to Mini SAS)

## 5 Rack the UNITY US316

Follow the same steps as racking the UNITY3300 Storage System; see *Rack the UNITY3300* on [page 3](#).

## 6 Connect the UNITY3300

### ► Step 1: Connect the network cables

- A** For the Unity Management Interface (nx99) and IPMI, plug an Ethernet cable into the on-board **LEFT** GigE RJ-45 connector.
- B** (Optional if there is a 10GB card) For data connectivity (nx0), plug an Ethernet cable into the on-board **RIGHT** GigE RJ-45 connector.
- C** (Optional) For additional data connectivity if you do not have a Fibre Channel card, plug appropriate cables into an add-on network interface card.
- D** Repeat these steps on the second controller.

### ► Step 3: Connect the KVM dongles

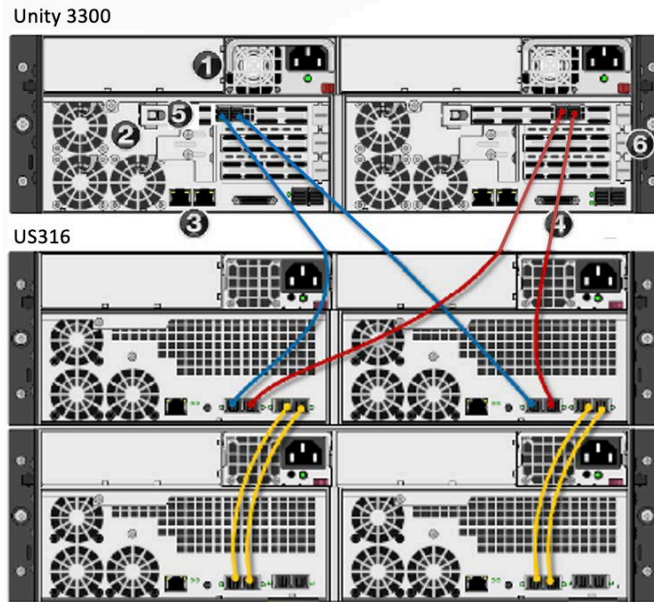
The KVM ports provide USB, VGA and serial connections for remote console access to the UNITY3300.

- Plug the KVM device cable into the KVM port on the back of each controller box.

### ► Step 4: (Optional) Connect the UNITY3300 to the UNITY US316

The UNITY3300 can connect to one UNITY US316. This configuration does not support daisy-chaining and multipathing.

- On each controller, direct connect your HBA SAS cables from the UNITY3300 Storage System to the UNITY US316, as shown. Snap the cables securely into place.



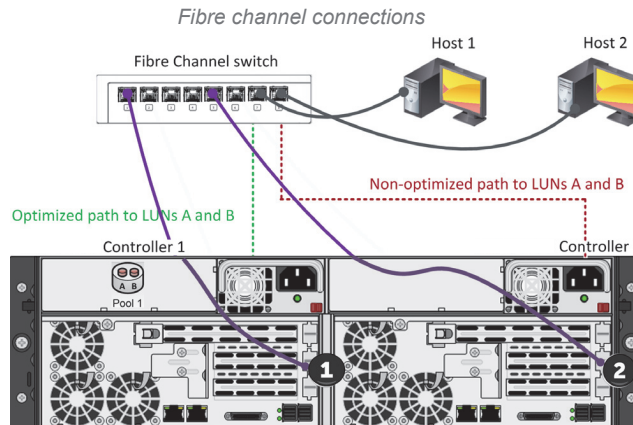
► **Step 5: (Optional) Connect to a Fibre Channel host or switch**

Under the required LUN mask configuration, when connecting the UNITY3300 to a Fibre Channel switch, each host has at least one connection to each controller using a port on the switch.

Use one Fibre Channel port on each controller as the optimized path for data connectivity and the other as the non-optimized path. For a given LUN, all the



paths on the owning controller are optimized and all the paths on the other controller are non-optimized.

- A Connect a Fibre Channel cable from the host (or switch) to one of the Fibre Channel HBA ports (see 1 in *Fibre channel connections*) on the back of the first UNITY3300 controller.
- B Connect a Fibre Channel cable from that same host (or switch) to one of the Fibre Channel HBA ports (2) on the back of the second UNITY3300 controller.





## 7 Power on Unity components

► **Step 1: Power on the UNITY US316 (if applicable)**


- A Press and hold the power button  located on the right front panel of the chassis until the power LED  lights up.
- B Wait approximately 1 minute for the drives to all become ready. All drive carrier activity LEDs should be illuminated in green.  
If a drive carrier activity LED does not light up, check to make sure the corresponding drive is properly seated in the chassis.

- C If all LEDs indicate normal operational status, reattach the front bezel to the UNITY US 316:
  - a Hook the left end of the bezel onto the chassis.
  - b Fit the right side of the bezel onto the chassis.
  - c Turn the key lock at the right end of the bezel to the lock position to secure the bezel to the chassis.

► **Step 2: Power on the UNITY3300 Storage System**

- A Press and hold the power button  located on the right front panel of the chassis until the power LED  lights up.



- B** Verify that the power LEDs on the left and right front control panels are illuminated to ensure that the controller nodes are receiving power and the power modules are functioning properly.
- C** Verify that the heartbeat LED  is blinking yellow in 2-3 second intervals.
- D** Verify that the drive carrier LEDs are illuminated in green.
- E** If all LEDs indicate normal operational status, reattach the front bezel to the UNITY3300:
  - a** Hook the left end of the bezel onto the chassis.
  - b** Fit the right side of the bezel onto the chassis.
  - c** Turn the key lock at the right end of the bezel to the lock position to secure the bezel to the chassis.

**NOTE:** Unity Storage Systems are hot pluggable; Once in service, powering down is not normally required to add a Unity Storage Expansion.





## 8 Monitor the Unity Storage System



This section describes the front panel LEDs that help you monitor the Nexsan Unity Storage System.

### Control panel LEDs

The two control panels located on the front left and right sides of the Unity system have several LEDs. These LEDs provide you with critical information related to the corresponding node.

If the Fan fail LED or Power fail LED illuminates, replace the component as described in the *Nexsan Unity Storage Expansion Reference Guide*.

LED	Indication
	<b>Power</b> Indicates power is being supplied to the system's power supply module. This LED is illuminated when the system is operating.
	<b>Heartbeat</b> This is a Controller heartbeat LED and indicates that power is being supplied to the Controller.
	<b>NIC1</b> Indicates network activity on the LAN1 port when flashing.
	<b>NIC2</b> Indicates network activity on the LAN2 port when flashing.

LED	Indication
	<b>Power fail</b> Indicates a power supply module has failed. The second power supply module takes the load and keeps the system running, but the failed module should be replaced as soon as possible. This LED should be off when the system is operating normally.
	<b>Fan fail</b> When flashing, this LED indicates a fan failure.  When illuminated continuously, this LED indicates an overheated condition, which may be caused by cables obstructing the airflow in the system or the ambient room temperature being too high.  Check the routing of the cables and make sure all fans are connected and operating normally. You should also check to make sure that the chassis covers are installed.  This LED remains flashing or illuminated as long as the error condition exists.

### Drive carrier LEDs

Each drive carrier has two LEDs. If a drive fails, replace the drive as described in the *Nexsan Unity Storage Expansion Reference Guide* at [www.nexsan.com](http://www.nexsan.com) (see Support > Unity > Documentation & Online Help).

LED	Indication
Green	<ul style="list-style-type: none"> <li>• A steady green LED indicates the drive is powered on.</li> <li>• If this LED is not lit, the drive is not getting power.</li> <li>• If this LED is flashing, the drive is being accessed (read or write).</li> </ul>
Red	<ul style="list-style-type: none"> <li>• A steady red LED indicates a drive failure.</li> </ul>

## 9 Configure the management interface (nx99)

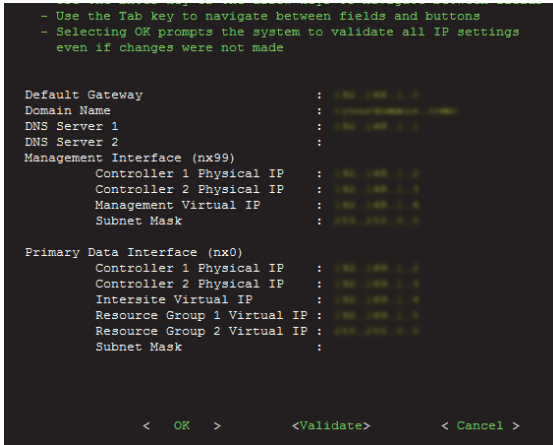
Configure network settings for the UNITY3300 management interface (nx99) using the `nxadmin` CLI.

**NOTE:** It is strongly recommended to configure the management interface (nx99) on a different subnet from the primary data network interface (nx0). However, it is acceptable to configure both interfaces on the same subnet in a flat network environment.

### Configure the management interface (nx99) using the `nxadmin` CLI

- A** Connect to the UNITY3300 via KVM (console). See *Step 3: Connect the KVM dongles*.
- B** When connected, enter `nxadmin` to log on.

- C Enter the default nxadmin password: **PASSWORD** (all upper-case).
- D Type **setup**.
- E Enter the IP addresses for the management interface (nx99); use the Tab key to navigate between fields.



**NOTE:** Do not set the network settings for the primary data network interface (nx0); you configure this interface in the Unity System Configuration wizard.

- F Tab to the **<Validate>** option and press **Enter**.
- G Once validation completes, tab to the **<OK>** option and press **Enter**.

## 10 Set up the UNITY3300

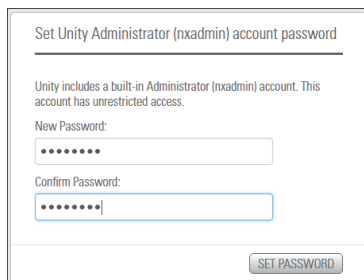
### ► Step 1: Start the initial setup

- A Open a supported Web browser, such as Google Chrome or Internet Explorer.
- B In the address bar, type the UNITY3300 Management Virtual IP address and press **ENTER**.
- C Read the terms of the license agreement.
- D Click the **I accept the terms of the license agreement** check box and click the **Next** button to continue.

### ► Step 2: Set the password for the Unity Administrator

The UNITY3300 is shipped with the built-in Unity Administrator account, **nxadmin**.

- Enter the new password and retype it to confirm, then click the **Set Password** button.



The **Unity System Configuration wizard** opens.

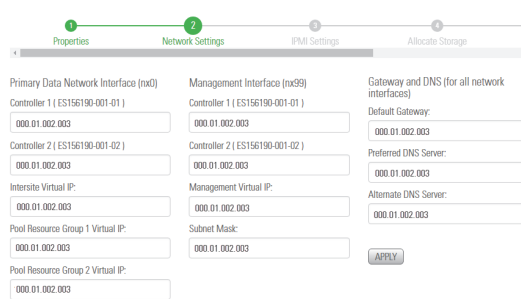
### ► Step 3: Configure Unity System properties

Enter the Unity System information.

- A Enter a **Unity System Name**.
- B Optionally, select a **Server Time Zone**.
- C Optionally, select **Unity CallHome** settings.
- D Click the **Next** button to continue.

### ► Step 4: Configure network settings

- A Enter IP addresses for the Primary Data Network Interface (nx0).



In the examples shown, with the exception of the subnet mask, the last digit of the network addresses increments from 0 to 10 (or 190 to 200). This practice is a useful standard if you need to manage multiple systems.

- B Set the Management Interface (nx99) IP addresses, ideally on a separate subnet.

**NOTE:** It is strongly recommended to configure the two management interfaces on separate subnets. In a flat network environment, it is acceptable to configure both interfaces on the same subnet.

- C Set the Gateway and DNS addresses for all network interfaces.

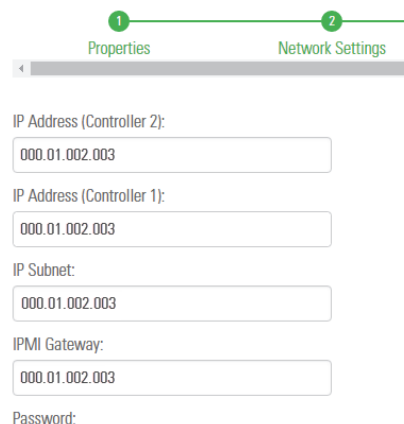
**NOTE:** The Default Gateway address should be in the same domain as the Primary Data Network (nx0).

Click the **Next** button to continue.

### ► Step 5: Configure IPMI settings

This step prompts you to configure the Intelligent Platform Management Interface (IPMI) settings. To enable IPMI for Unity, you must connect a network cable to the second on-board 1 Gb LAN port at the back of each controller on the Unity Storage System enclosure. This second LAN port is located at the bottom of each controller, closest to the bottom of the controller box.

- A Enter IP addresses for Controller 1, Controller 2, and the IP Subnet and IPMI Gateway.
- B Enter and confirm the IPMI password.



C Click the **Next** button to continue.

### ► Step 6: Allocate storage

This step prompts you to allocate RAID storage.



A Click **Allocate** to assign the storage system to the UNITY3300.

B Click **Configure** to specify RAID settings. Recommended RAID set levels, number of RAID sets, hot spares, and volume names are preconfigured.

C Click the **Apply** button to apply the RAID settings and then repeat for the second controller.

D Click the **Next** button to continue.

### ► Step 7: Verifying configuration settings

In this step, review the summary of the settings you have set up.

- To change a configuration setting, click the step identifier at the top of the System Configuration wizard panel to go back to a specific step. For example, if you want to change the Unity System name, click the Step 2 icon.
- To finalize the Unity Storage System setup, click **Create**.

### ► Step 8: Applying configuration settings

The System Configuration wizard begins applying your settings, displaying the progress as the wizard configures Unity.

- When Unity System configuration is complete, you can open the **Add Storage Pool** wizard, OR
- Click **No I'm finished** to close the wizard.

Unity opens and displays the dashboard, where you can view **Cluster Status**, **Events**, **Storage System** statistics, **Storage Pools**, **File Systems**, and **LUNs**.

### ► What's next

Please see the *Unity Setup Guide* included with your Unity System for setup instructions for:

- Authentication
- Adding a storage pool, file system and LUN
- Mounting an iSCSI LUN on a Windows client
- Mapping a CIFS file system to a Windows client

## ! Safety notices

- This equipment must be installed and operated in compliance with local laws and regulations.
- Ensure that the ambient temperature at the installation site is between 5°C (41°F) and 30°C (86°F). If the temperature at the site is not actively regulated, ensure that daily and seasonal temperature changes will not result in the ambient temperature going outside these limits.
- Always fully stabilize racks with wall anchors or stabilizing legs, or both, before mounting the Nexsan systems or any other components on the rack.
- Situate the rack so that full air flow at both the front and the rear of the Nexsan systems is possible.
- Ensure that the floor beneath the mounting rack has enough load-bearing capacity to support the rack and all mounted components.
- Always fully secure all rack-mounting hardware when installing the Nexsan systems in a rack. Insufficient rack-mount support may allow the enclosure to fall onto other rack-mounted hardware or onto the floor, potentially damaging equipment or causing injury to nearby personnel.

## Rack and enclosure specifications

These specifications apply to both UNITY3300 Storage Systems and UNITY US316 Storage Expansions.

### Rail kit mounting

- 3U enclosure height
- The rack must have square holes
- Maximum distances: 30" (800 mm)

### Enclosure dimensions

- Height: 5.2" 132 mm
- Width: 17.2" 437 mm
- Depth: 25.5" 648 mm

### Weight

- 54 lbs 24.5 kg (no drives installed)
- 75 lbs 34 kg (all drives installed)

### Power requirements

- Power supply: 1200W
- Input voltage: 100-240V
- Amperage: 12V (100A @ 240V), +5Vsb (6A @ 240V, 4A @ 100V)
- Input frequency: 50/60 Hz
- Power consumption: Varies, depending on drive numbers and sizes, fans, and room temperature.

# NEXSAN

Part number: P0450175 Rev: A Release Date: September 2021  
Related Documentation: Nexsan Unity Hardware Maintenance Guide,  
Nexsan Unity Software User Guide, Nexsan Unity Help, Nexsan Unity  
nxadmin CLI Reference Guide

### Technical Support

By Email: [support@nexsan.com](mailto:support@nexsan.com)

By Web: <https://www.nexsan.com/support/support-unity/>

Copyright © 2010-2021 Nexsan Technologies, Inc. All Rights Reserved. Nexsan®, UNITY3300™, UNITY US316™, FASTier™, and the Nexsan logo are trademarks or registered trademarks of Nexsan. All other trademarks and registered trademarks are the property of their respective owners.

Nexsan | [www.nexsan.com](http://www.nexsan.com)